



Evolution single door

All the innovation in the field of cavity sliding door systems

Made up of a single, lateral system it holds a sliding door and it guarantees the optimisation of space by allowing the door to “disappear” into the wall. Evolution systems can therefore free up precious space usually set aside for conventional hinged doors to open. It is designed to be easily and quickly installed and it can replace an existing swinging door as well as being used in new constructions. It is available in standard sizes and, on request, project needs out of standard solutions can be supplied. Evolution Single door keeps its elevated structural qualities in time and permits a more functional use of space creating and enhancing aesthetically beautiful interiors.



Evolution single door



On request sizes:

On request systems with different sizes both in width (from mm 600 to mm 1500) and in height (mm 1000 to mm 2700) are available.

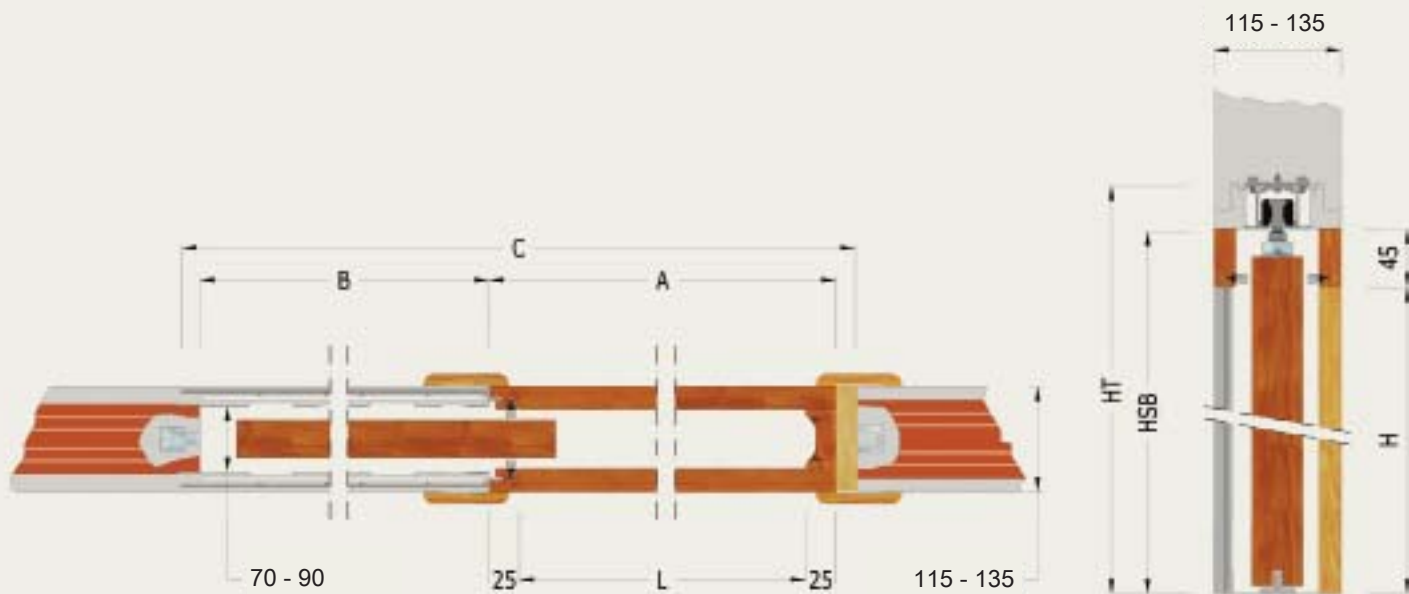
Please Note: Because of production needs, systems out of standard may result in different characteristics from Evolution ones. For further information see page 71.

ATTENTION:

For the optimal operation of the system, do not use door panels thicker than 40 mm. Standard systems can take up to 100 kg doors, on request a 120 kg sliding kit is available.

Optionals

1. Self-closing kit
2. Sliding kit for glass door
3. Aluminium plated door jamb kit
4. Jambs for Evolution model
5. Locks and handles



SM	SI	SP
115	70	42
135	90	42

Rendered wall thickness
 SM = Finished wall thickness
 SI = Internal size
 SP = Door size

COD.*	LIGHT OPENING L X H	DOOR PANELS L X H	A	B	C	HSB	HT
EVLSI01AU	600 X 2330	615 X 2340	650	620	1320	2375	2410
EVLSI02AU	600 X 2030	615 X 2040	650	620	1320	2075	2110
EVLSI03AU	700 X 2330	715 X 2340	750	720	1520	2375	2410
EVLSI04AU	700 X 2030	715 X 2040	750	720	1520	2075	2110
EVLSI05AU	800 X 2330	815 X 2340	850	820	1720	2375	2410
EVLSI06AU	800 X 2030	815 X 2040	850	820	1720	2075	2110
EVLSI07AU	900 X 2330	915 X 2340	950	920	1920	2375	2410
EVLSI08AU	900 X 2030	915 X 2040	950	920	1920	2075	2110
EVLSI09AU	1000 X 2330	1015 X 2340	1050	1020	2120	2375	2410
EVLSI10AU	1000 X 2030	1015 X 2040	1050	1020	2120	2075	2110
EVLSI11AU	1100 X 2330	1115 X 2340	1150	1120	2320	2375	2410
EVLSI12AU	1100 X 2030	1115 X 2040	1150	1120	2320	2075	2110
EVLSI13AU	1200 X 2330	1215 X 2340	1250	1220	2520	2375	2410
EVLSI14AU	1200 X 2030	1215 X 2040	1250	1220	2520	2075	2110

* For the correct item code please indicate after the main code (ex. EVL105/) the finished wall thickness (ex. EVL105/107).

Calculation formula for the total volume:

Overall width size: $(L) \times 2 + \text{mm } 120$ (ex. $800 \times 2 + 120 = 1720$)

Overall height size: $(H) + 80 \text{ mm}$ (ex. $2330 + 80 = 2410$)

Evolution single door _ pojedynczy



ATTENTION:

For the optimal operation of the system, do not use door panels thicker than 40 mm in cavity systems having the internal size less than 59 mm. Standard systems can take up to 100 kg doors, on request a 120 kg sliding kit is available.

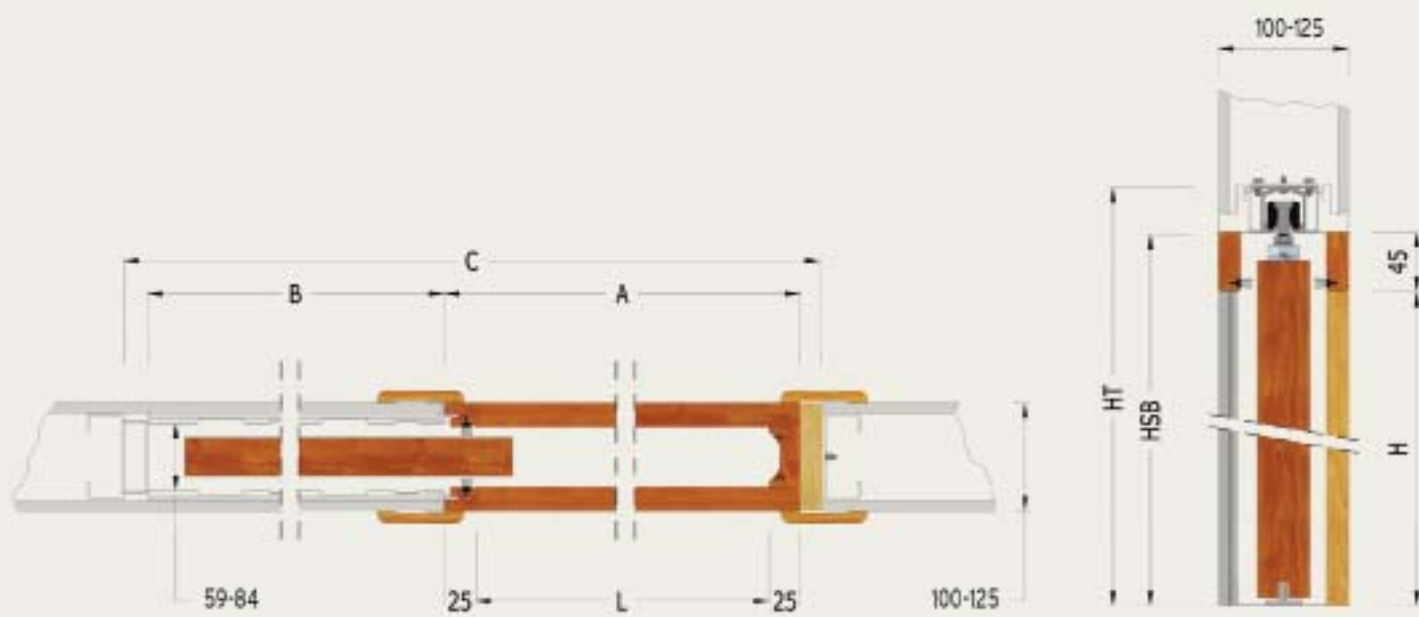
Optionals

1. Self-closing kit
2. Sliding kit for glass door
3. Aluminium plated door jamb kit
4. Jambes for Evolution model
5. Locks and handles

On request sizes:

On request systems with different sizes both in width (from mm 600 to mm 1500) and in height (mm 1000 to mm 2500) are available.

Please Note: Because of production needs, systems out of standard may result in different characteristics from Evolution ones. For further information see page 71.



SM	SI	SP
100	59	42
125	84	64

Plasterboard wall thickness
 SM = Finished wall thickness
 SI = Internal size
 SP = Door size

COD.*	LIGHT OPENING L X H	DOOR PANELS L X H	A	B	C	HSB	HT
EVLSI01AU	600 X 2330	615 X 2340	650	620	1320	2375	2410
EVLSI02AU	600 X 2030	615 X 2040	650	620	1320	2075	2110
EVLSI03AU	700 X 2330	715 X 2340	750	720	1520	2375	2410
EVLSI04AU	700 X 2030	715 X 2040	750	720	1520	2075	2110
EVLSI05AU	800 X 2330	815 X 2340	850	820	1720	2375	2410
EVLSI06AU	800 X 2030	815 X 2040	850	820	1720	2075	2110
EVLSI07AU	900 X 2330	915 X 2340	950	920	1920	2375	2410
EVLSI08AU	900 X 2030	915 X 2040	950	920	1920	2075	2110
EVLSI09AU	1000 X 2330	1015 X 2340	1050	1020	2120	2375	2410
EVLSI10AU	1000 X 2030	1015 X 2040	1050	1020	2120	2075	2110
EVLSI11AU	1100 X 2330	1115 X 2340	1150	1120	2320	2375	2410
EVLSI12AU	1100 X 2030	1115 X 2040	1150	1120	2320	2075	2110
EVLSI13AU	1200 X 2330	1215 X 2340	1250	1220	2520	2375	2410
EVLSI14AU	1200 X 2030	1215 X 2040	1250	1220	2520	2075	2110

* For the correct item code please indicate after the main code (ex. EVLSI05AU/) the finished wall thickness (ex. EVLSI05AU/100C).

Calculation formula for the total volume:

Overall width size: $(L) \times 2 + 120$ (ex. $800 \times 2 + 120 = 1720$)

Overall height size: $(H) + 80$ (ex. $2330 + 80 = 2410$)